

THIS DRAWING IS UNPUBLISHED. RELEASED FOR PUBLICATION
 © COPYRIGHT - By - ALL RIGHTS RESERVED.

LOC		DIST		REVISIONS			
P	LTR	DESCRIPTION		DATE	DWN	APVD	
AD	00	R1		REVISED PER ECO-13-005531	29MAR13	KH	HS

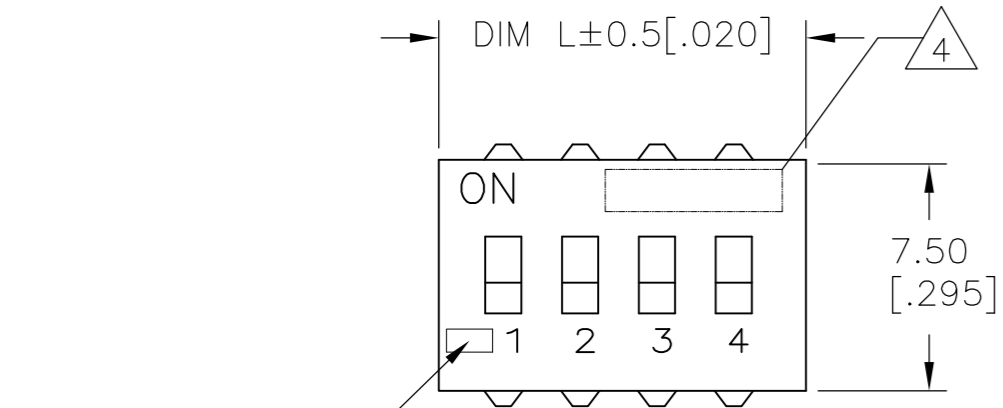
Specifications:
 MATERIAL
 BASE, PPS, UL94V-0, BLACK
 COVER, PPS, UL94V-0, BLACK
 ACTUATOR, PA6T, UL94V-0, WHITE
 FIXED CONTACT/TERMINAL, CU ALLOY-GOLD FLASH OVER NICKEL
 MOVING CONTACT, CU ALLOY, PLATE-GOLD FLASH/NICKEL

ELECTRICAL
 MAX CONTACT RATING SWITCHING, 100MILLIAMPS @ 24 VDC
 MIN CONTACT RATING SWITCHING, .1MICROAMP @ 1 MILLIVOLT
 MAX CONTACT NON-SWITCHING, 1AMP @ 5 VDC
 INITIAL CONTACT RESISTANCE, 50 MILLIOHMS MAX.
 CONTACT RESISTANCE (AFTER ENVIRONMENTAL TEST), 100 MILLIOHMS
 CONTACT RESISTANCE (AFTER GAS TEST), 300 MILLIOHMS
 INSULATION RESISTANCE, 1,000 MEGOHMS MIN. @ 100 VDC
 DIELECTRIC STRENGTH, 500 VAC RMS @ SEA LEVEL
 LIFE EXPECTANCY, 1,000 CYCLES

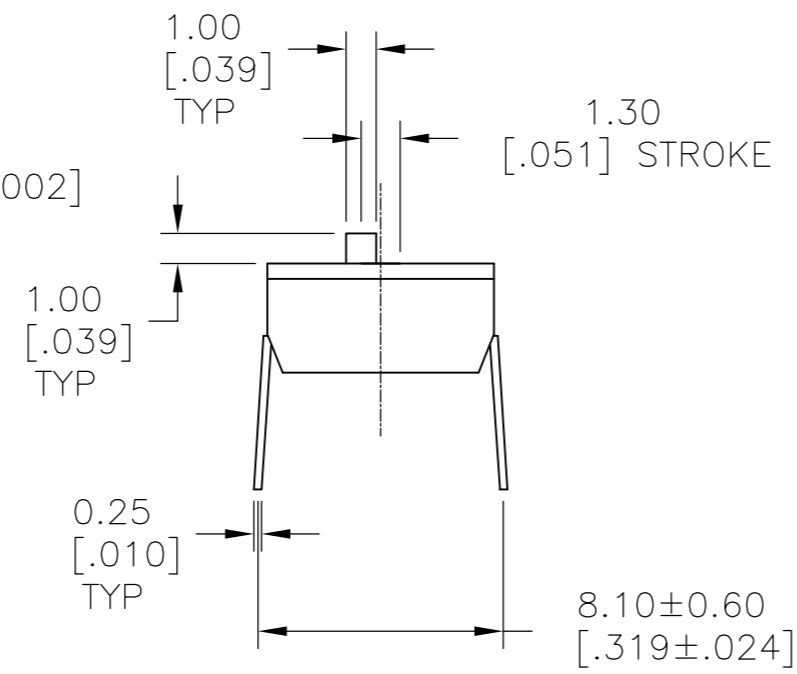
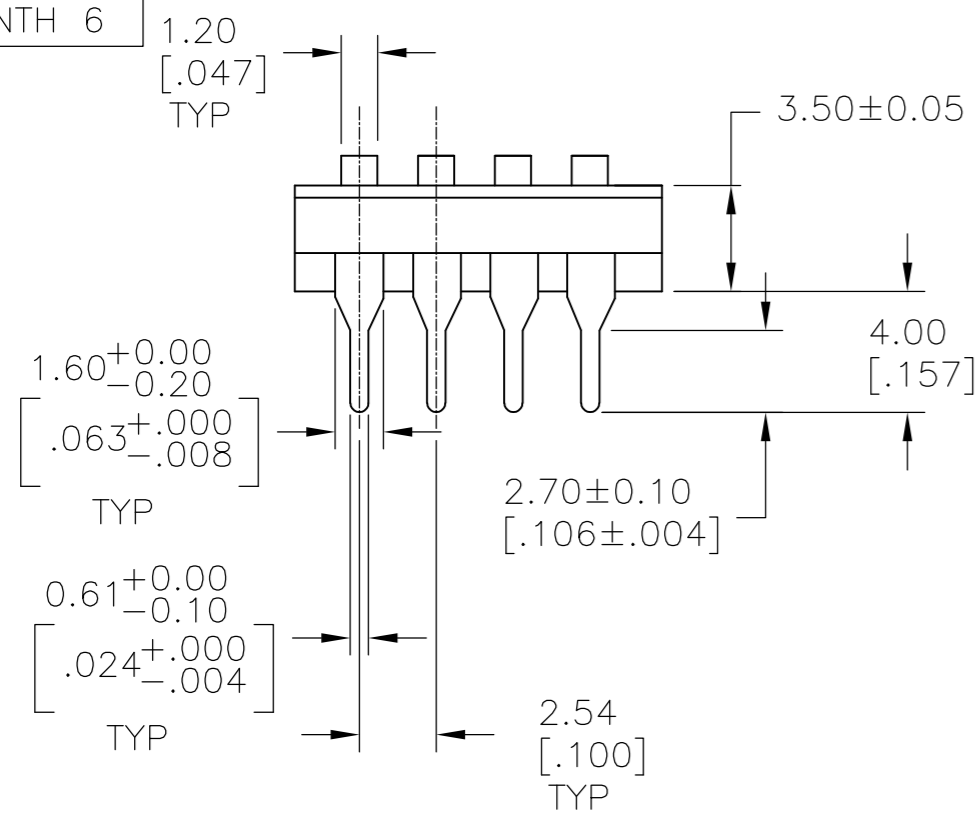
MECHANICAL
 OPERATING FORCE, LESS THAN 800 GRAMS
 CONTACT PRESSURE, 280,000 PSI

ENVIRONMENTAL
 OPERATING TEMPERATURE, -30 TO +85 DEGREES C
 STORAGE TEMPERATURE, -45 TO +105 DEGREES C
 CLEANING, AQUEOUS OR SOLVENT
 SOLDER HEAT RESISTANCE, PER 109-202, COND B, SWITCH "OFF".
 SOLDERABILITY PER JIS C 0050 & JIS 0053

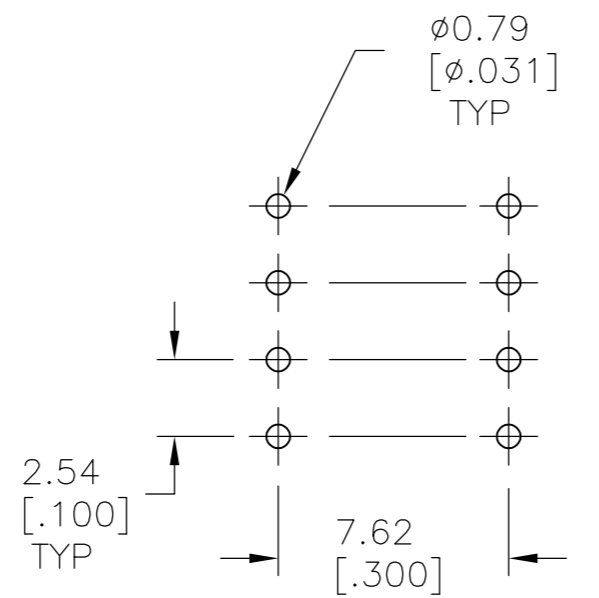
- SWITCHES TO BE RECEIVED IN THE "OFF" POSITION AND PACKAGED IN CLEAR TUBES TO ACCOMMODATE AUTO-INSERTION.
- TOP SURFACE TO BE CLEARLY MARKED AS SHOWN
- SWITCHES TO BE BLACK WITH WHITE ACTUATORS AND MARKINGS.
- MARK ALCO PLUS FIRST 5 DIGITS PER T&B P/N COLUMN (E.G.: ALCO ADE12), ON 2 AND 3 POSITION SWITCH WITHOUT ALCO
- ALL MATERIALS AND FINISHES SHALL COMPLY WITH EU DIRECTIVE 2002 /95/EC OF 27JAN2003 (ROHS)



DATE CODE
 EXAMPLE: 3F
 3: YEAR 2013
 F: MONTH 6



ADE



P.C. LAYOUT
 INSERT MOUNT

T&B P/N	DIM L	POSITION	PART NO.
ADE1204	32.51 [1.280]	12	1-1825057-0
ADE1004	27.40 [1.078]	10	1825057-9
ADE0904	24.84 [.978]	9	1825057-8
ADE0804	22.30 [.878]	8	1825057-7
ADE0704	19.80 [.778]	7	1825057-6
ADE0604	17.22 [.678]	6	1825057-5
ADE0504	14.70 [.578]	5	1825057-4
ADE0404	12.14 [.478]	4	1825057-3
ADE0304	9.60 [.378]	3	1825057-2
ADE0204	7.06 [.278]	2	1825057-1

THIS DRAWING IS A CONTROLLED DOCUMENT.		DWN B.S.VISWESWARA	10FEB05	
DIMENSIONS: mm [INCHES]		CHK M.SARVER	TE Connectivity	
TOLERANCES UNLESS OTHERWISE SPECIFIED:		APVD M.SARVER	NAME	
0 PLC ± -		PRODUCT SPEC	DIP SWITCH, ADE THRU HOLE	
1 PLC ± -		APPLICATION SPEC	SIZE CAGE CODE DRAWING NO RESTRICTED TO	
2 PLC ± -			A2 00779 C=1825057	
3 PLC ± .30 [.012]			SCALE SHEET REV	
4 PLC ± -			4:1 1 OF 1 R1	
ANGLES ± -				
FINISH		WEIGHT	CUSTOMER DRAWING	